



Connect the Dots with Tosibox



Do it Easily.
Build and manage secure OT infrastructure in minutes



Do it Automatically.
Connect anything, anywhere - all automated.



Do it Cybersecurely.
You own the data and it's always encrypted.

TOSIBOX® 670

LTE enabled Plug & Go™ connectivity device

TOSIBOX® 670 is ideal as a main or backup internet source, where steady connection and high data throughput is necessary. The versatile connectivity options, utilized in conjunction with leading edge Cyber security technology from Tosibox enable diverse application scenarios. The durable aluminium alloy shell and small form factor is ideal for rugged mounting conditions.

Tosibox 600 series contains devices for all connectivity scenarios and meets the most demanding operating conditions. Bringing connectivity to those hard to reach locations has never been this easy. The node is compatible with all existing TOSIBOX® products.

Main features

Performance

- High VPN throughput, end-to-end encryption between TOSIBOX devices, users and servers

Reliability

- Built-in global LTE modem – no external modem needed
- Cellular speeds up to 300Mbps
- Dual-SIM slots for operator redundancy allows for even more reliable connectivity
- TosiOnline™ automatic reconnection of dropped connections

Industrial design

- Durable aluminium alloy shell, DIN rail attachment
- Extended IP30 rating
- Operating temperature -40 °C ... +75 °C / -40 °F ... +167 °F

TOSIBOX® 670 Technical Data

Product codes

TBL670EU, TBL670UK, TBL670AU, TBL670US

Ports

- 1 x RJ-45 WAN connection, 10/100/1000 Mb/s, auto-negotiation (MDI / MDI-X)
- 3 x RJ-45 LAN connection, 10/100/1000 Mb/s, auto-negotiation (MDI / MDI-X)
- 1 x USB 2.0, type A

Connections

- 4 pin industrial DC power socket
- 9-50V DC, reverse polarity protection, voltage surge/transient protection
- 2 x SMA for LTE
- 1 x GNSS
- DIN rail mounting slot in the back and on both sides
- Maximum power consumption 9W

Connection features

- 3-way WAN priority
- Proxy server support
- WAN access with static addressing or DHCP
- Network Time Protocol (NTP) server
- Automatic LAN network discovery
- LAN access with mixed static addressing and DHCP server
- Management web UI access via http/https
- Modbus server
- Static routes
- GNSS coordinates display on UI via GPS, GLONASS, BeiDou, Galileo and QZSS
- Works in all Internet connections (operator independent)
- Works with dynamic, static and private IP addresses
- Built-in firewall, NAT
- Up to 50 concurrent VPN connections
- Aggregate VPN throughput up to 70 Mbps
- Single VPN throughput up to 25 Mbps
- TosiOnline™ Automatic network recovery that recovers from most mobile operator and modem problems

4G Module

TBL670US

- Cellular module: Quectel EG06-A
- Region: North America and Mexico
- LTE Cat-6
- Up to 300 Mbps DL, 42 Mbps UL

Frequency Bands

- LTE FDD: B2, B4, B5, B7, B12, B13, B25, B26, B291, B30, B66
- WCDMA: B2, B4, B5

TBL670EU, TBL670UK, TBL670AU

- Cellular module: Quectel EG06-E
- Region: EMEA/APAC/Brazil (excluding Japan)
- LTE Cat-6
- Up to 300 Mbps DL, 42 Mbps UL

Frequency Bands

- LTE FDD: B1, B3, B5, B7, B8, B20, B28, B32
- LTE TDD: B38, B40, B41
- WCDMA: B1, B3, B5, B8

I/O specifications

- 1 x Digital input, 0 - 6 V detected as logic low, 8 - 30 V detected as logic high
- 1 x Digital output, open collector output, max output 30 V, 300 mA
- Software configurable I/O state
- Requires separate I/O cable (TB600PAC1 or TB600PAC2)

Included accessories

- Power supply unit
 - AC adapter - Input 100 – 240 V AC, frequency 50/60Hz 0,6A, Output 12.0 V, 1.5 A, max 18 W
- 2 x LTE antennas (swivel, SMA male)
- 1 x GNSS antenna (adhesive, SMA male, 3 m cable)
- Power plug with contact terminals
- Ethernet cable (1.5 m)
- DIN rail mount

Physical properties

- 115 mm x 44.2 mm x 95.1 mm / 4.52" x 1.74" x 3.74" (W x H x L)
- Protection class IP30
- Weight 455 g / 1.00 lbs (net weight article)
- Storage temperature -40 °C ... +75 °C / -40 °F ... +167 °F
- Operating temperature -40 °C ... +75 °C / -40 °F ... +167 °F
- Power supply operating temperature -10 °C ... +40 °C / 14°F ... +104 °F
- Power storage temperature -20 °C ... +70 °C / -4°F ... +158 °F

Tosibox

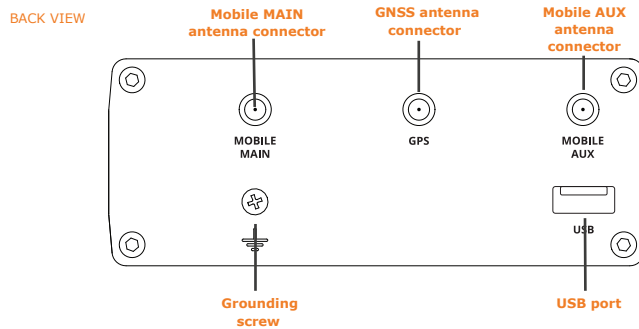
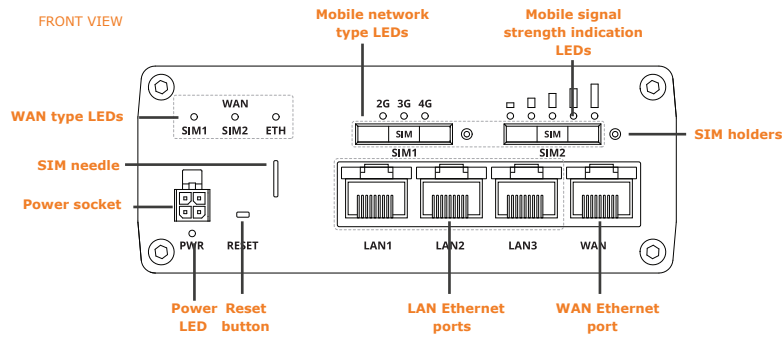
sales@tosibox.com
support@tosibox.com
www.tosibox.com



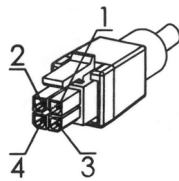
TOSIBOX

Copyright © 2024 Tosibox. All rights reserved.

TOSIBOX® 670 Technical Data



Power plug



- 1. Power / +VDC
- 2. GND / 0 VDC
- 3. Digital Input
- 4. Digital Output

Tosibox

sales@tosibox.com
support@tosibox.com
www.tosibox.com



TOSIBOX